

4

3

2

1

F

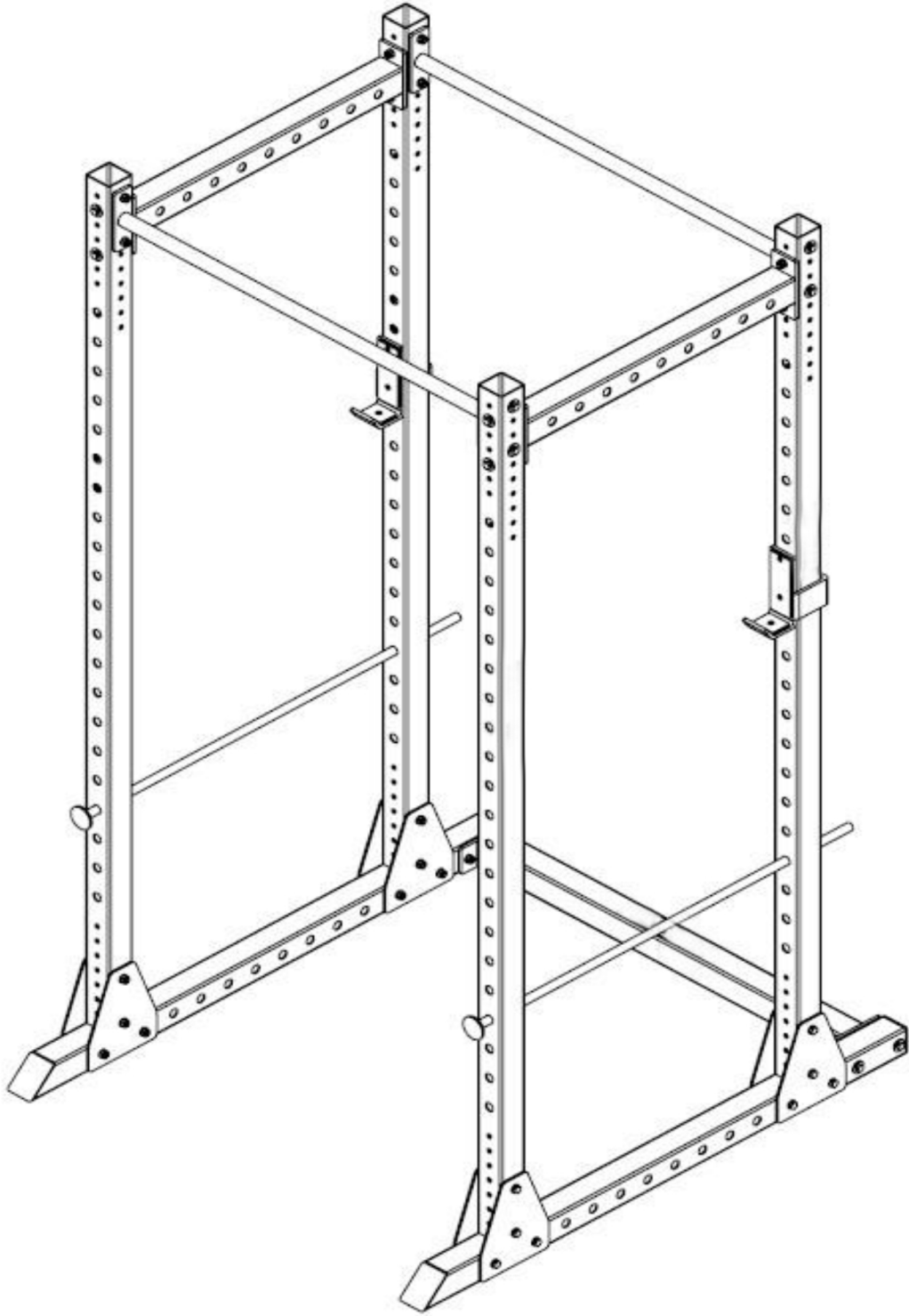
E

D

C

B

A



*Affenhand*<sup>®</sup>

**Power Rack (Freistehend)**

A4

SHEET 1 OF 5

4

3

2

1

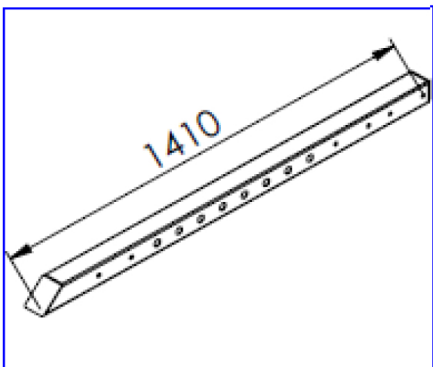
4

3

2

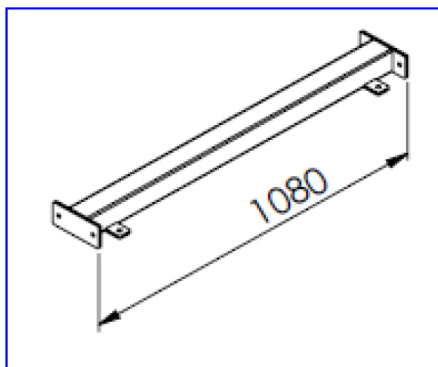
1

F



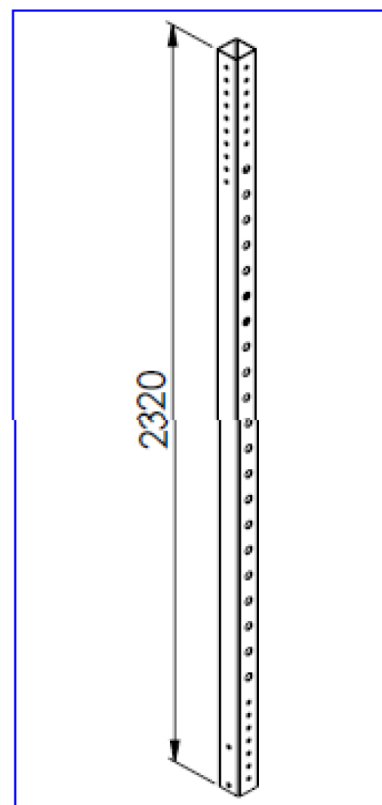
P2

x2



P3

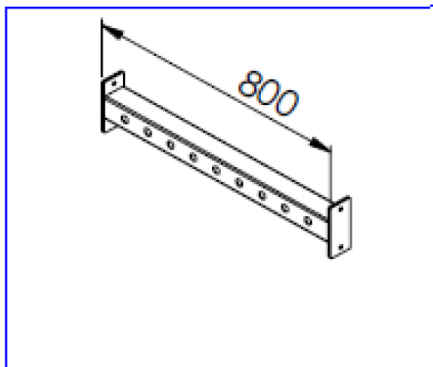
x1



P1

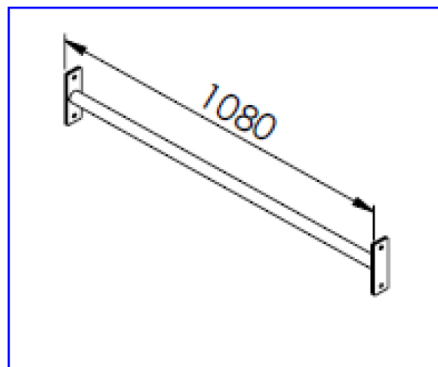
x4

E



P4

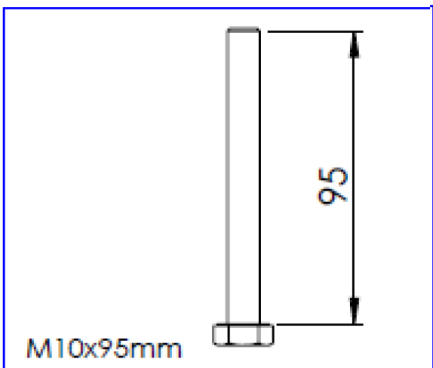
x2



P5

x2

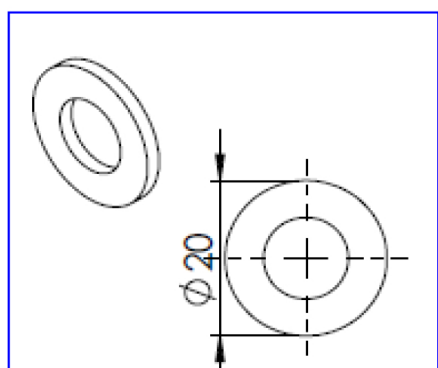
D



M10x95mm

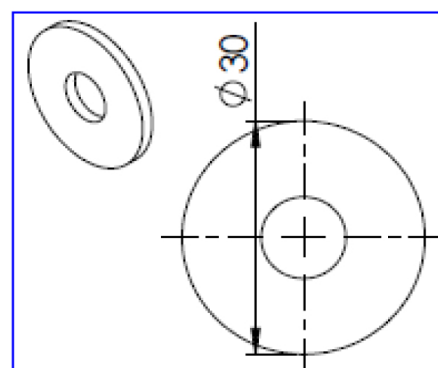
P6

x36



P7

x52

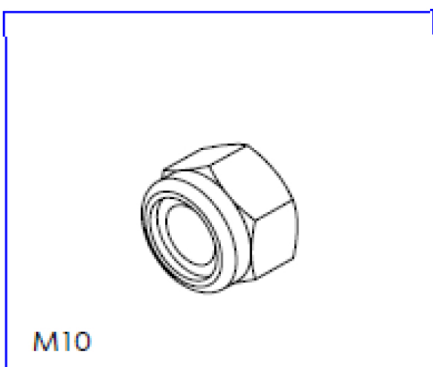


P8

x20

C

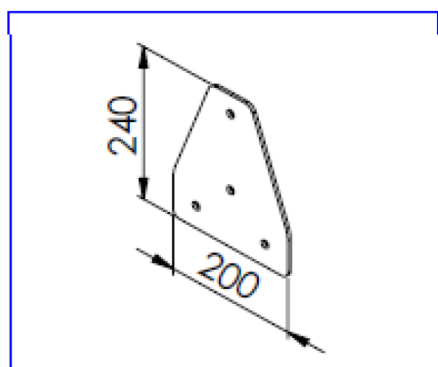
B



M10

P9

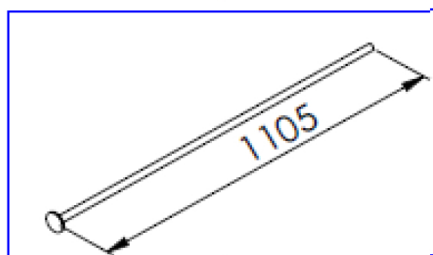
x36



P11

x8

A



P12

x2

**Affenhand®**

**Power Rack (Freistehend)**

A4

SHEET 2 OF 5

4

3

2

1

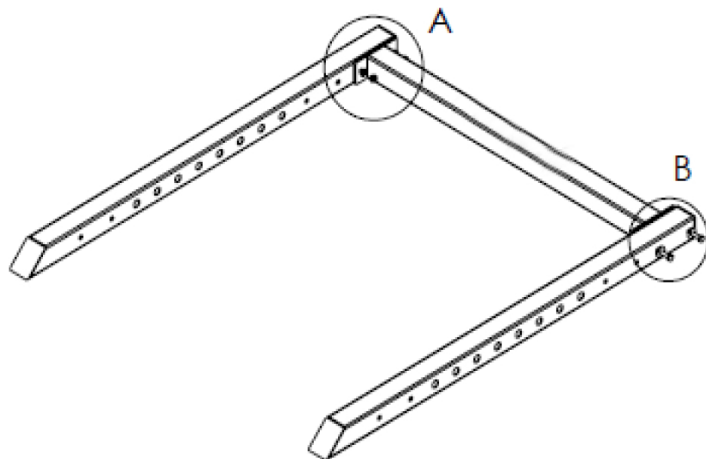
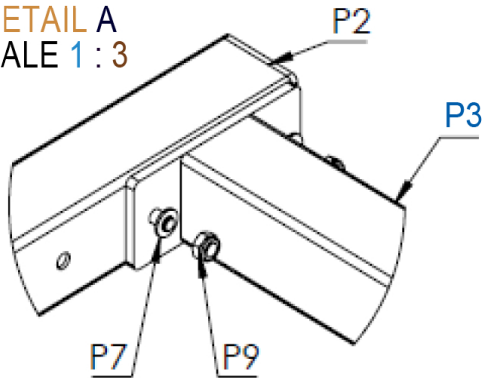
4

3

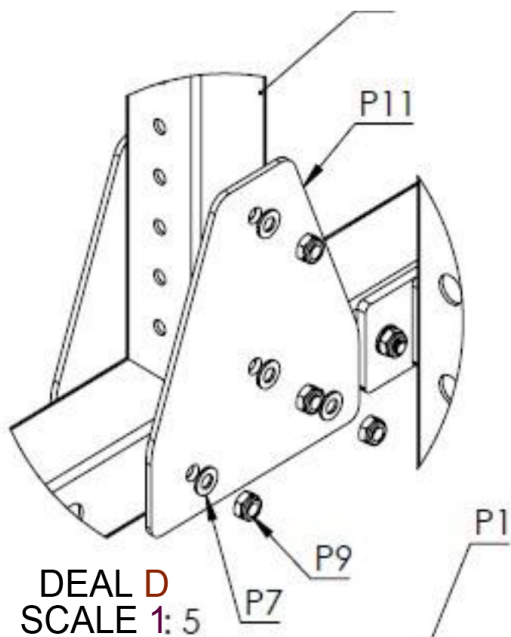
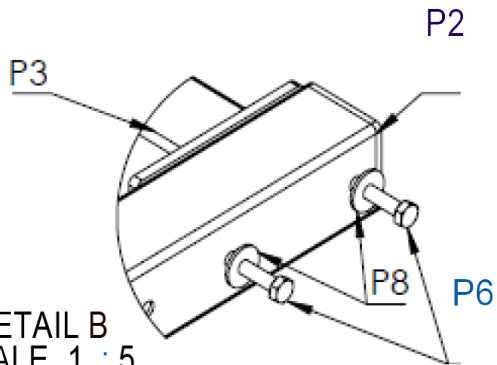
2

1

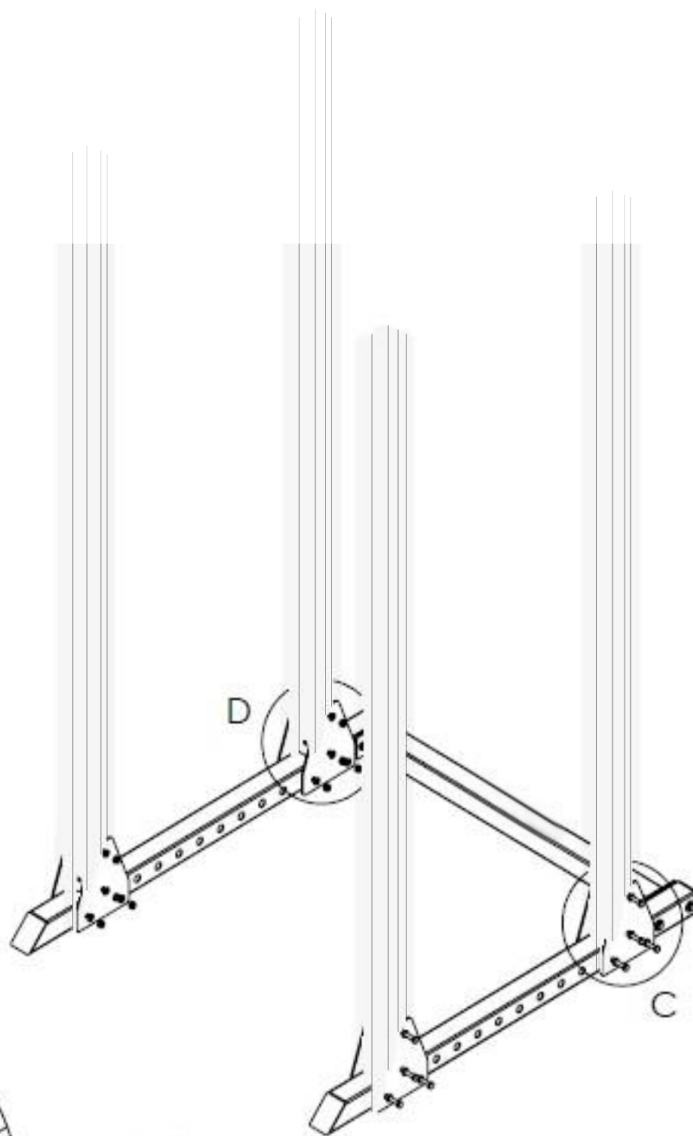
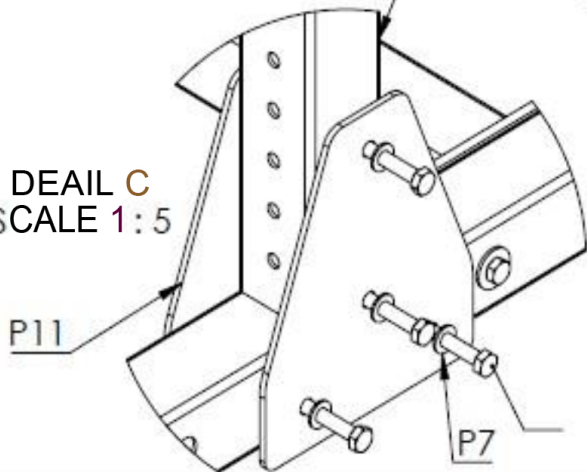
DETAIL A  
SCALE 1 : 3



DETAIL B  
SCALE 1 : 5



DETAIL C  
SCALE 1 : 5



*Affenhand*<sup>®</sup>

**Power Rack (Freistehend)**

A4

4

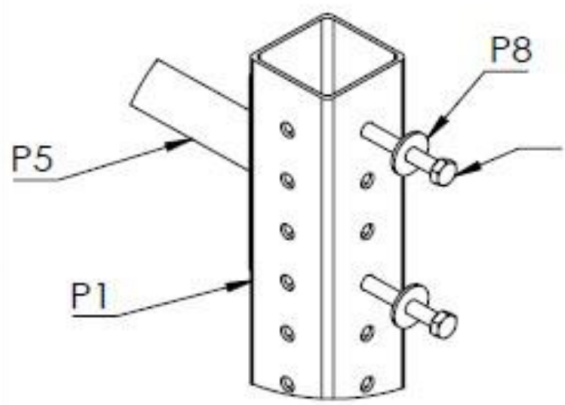
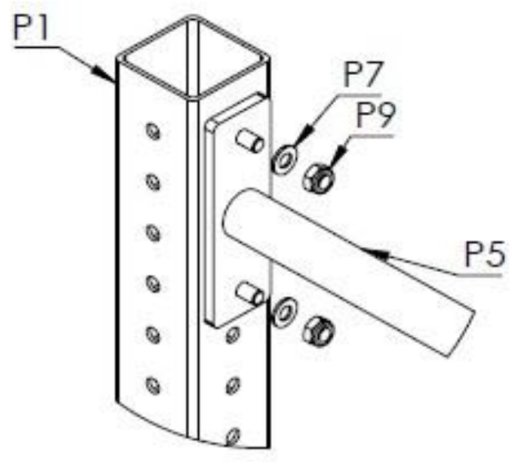
3

2

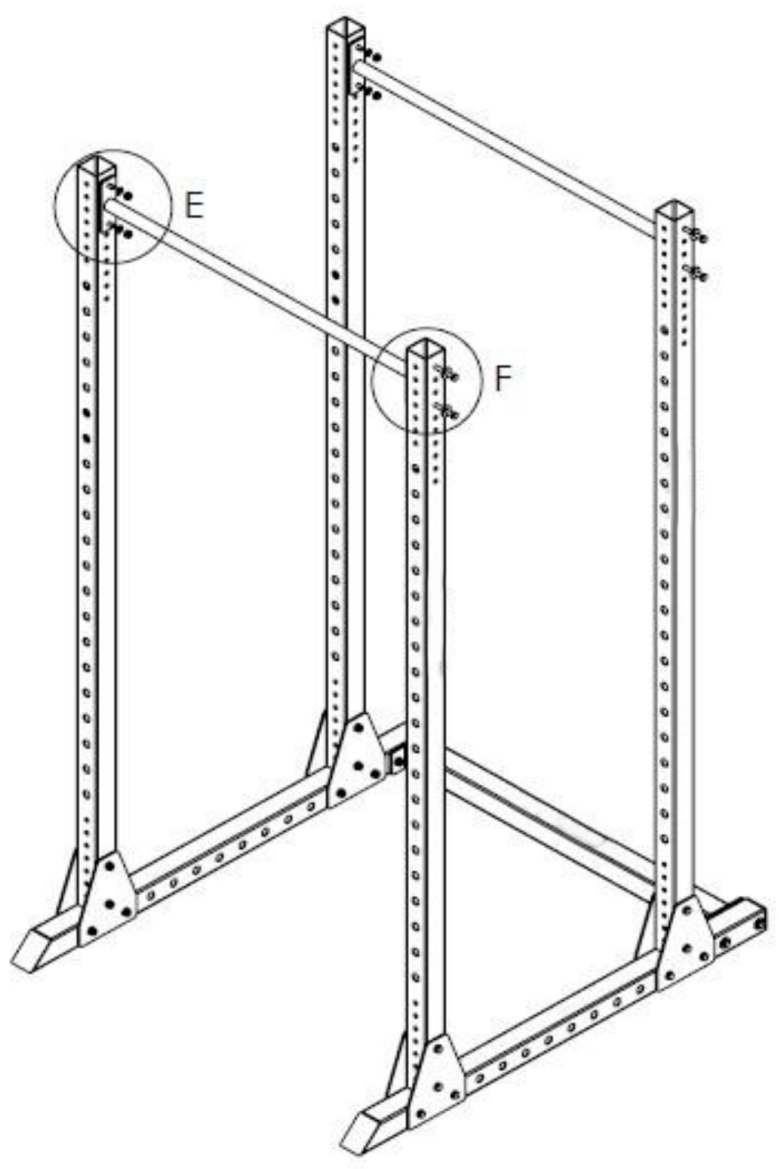
1

F  
E  
D  
C  
B  
A

DETAIL E  
SCALE 1:5



DETAIL F  
SCALE 1:5



*Affenhand*<sup>®</sup>

**Power Rack (Freistehend)**

A4

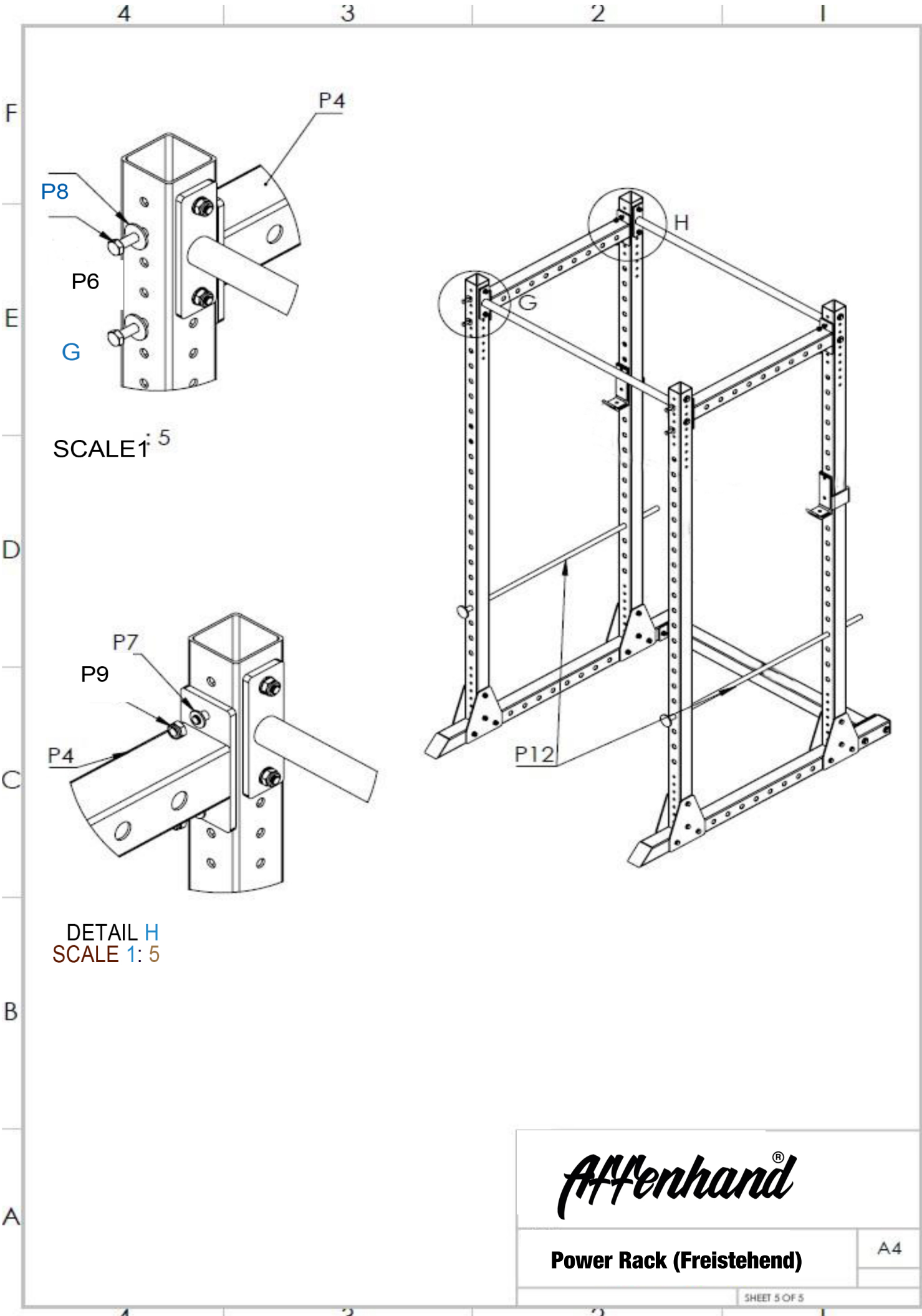
SHEET 4 OF 5

4

3

2

1



SCALE 1:5

DETAIL H  
SCALE 1:5

<i><b>Affenhand®</b></i>	
<b>Power Rack (Freistehend)</b>	
A4	
SHEET 5 OF 5	